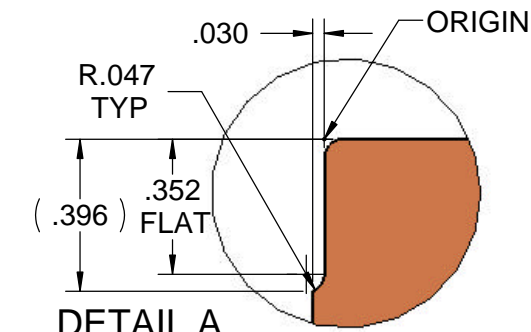
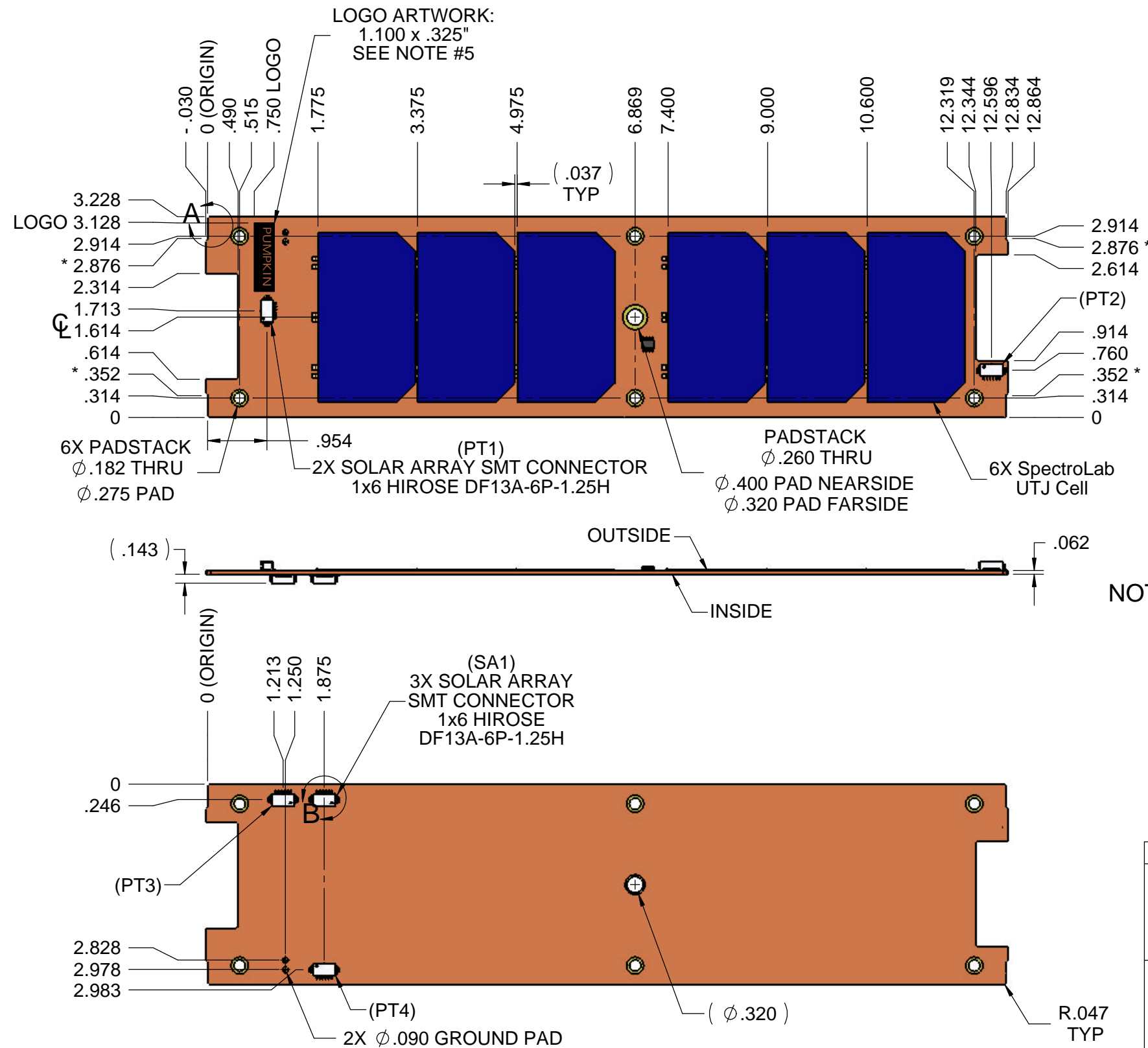


PROPRIETARY NOTICE

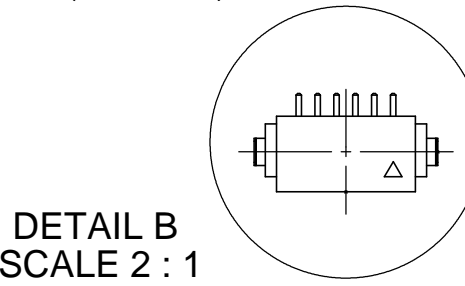
NOTICE IS HEREBY GIVEN THAT THIS DOCUMENT EMBODIES A CONFIDENTIAL PROPRIETARY DESIGN OR IS PART OF A CONFIDENTIAL PROPRIETARY DESIGN ORIGINATED BY OURSELVES OR ONE OF OUR CUSTOMERS, AND ALL DESIGN, MANUFACTURING, PREPRODUCTION USE AND SALE RIGHTS REGARDING THE SAME ARE EXPRESSLY RESERVED. IT IS SUBMITTED UNDER A CONFIDENTIAL RELATIONSHIP FOR A SPECIFIC PURPOSE, AND THE RECIPIENT BY ACCEPTING THIS DRAWING AGREES NOT TO SUPPLY OR DISCLOSE ANY INFORMATION REGARDING IT TO ANY UNAUTHORIZED PERSON, OR TO INCORPORATE IN OTHER PROJECTS, ANY SPECIAL FEATURES PECULIAR TO THIS DESIGN.

REVISION HISTORY

REV	LOC	DESCRIPTION	DATE	APP'VD
B0	C8	CHANGED THRU HOLE FROM .172 to .182"	04/30/2009	AWR
B0	A7	MOVED PT3 & SA1 CONNECTORS .025" FROM .221" to .246"	04/30/2009	AWR
B0	A7	MOVED PT4 CONNECTOR .015" FROM 3.008" TO 2.983"	04/30/2009	AWR
B0	C7	ADDED PUMPKIN LOGO CALLOUT	04/30/2009	AWR



SOLAR ARRAY CONNECTOR	
PIN #	LABEL
1	POS_OUTSIDE
2	RTN_OUTSIDE
3	TLM_OUTSIDE
4	POS_INSIDE
5	RTN_INSIDE
6	TLM_INSIDE



- NOTES:**
- 1) ALL PLATED THRU HOLES ARE SPEC'D AFTER PLATING
 - 2) "INSIDE" REFERS TO THE SURFACE THAT FACES THE SATELLITE, AND "OUTSIDE" REFERS TO THE SURFACE THAT FACES AWAY FROM THE SATELLITE, WHEN LOADED IN THE LAUNCH SYSTEM.
 - 3) DIMENSIONS WITH AN ASTERISK (*) ARE MARKING A TANGENCY POINT.
 - 4) REFER TO SHEET #2 FOR KEEP-OUT ZONES ON THE INSIDE.
 - 5) LOGO TO APPEAR ON METAL LAYER; WITH THE TEXT IN METAL. FOR LOGO SPECIFICATIONS AND DXF FILES, CONTACT PUMPKIN.

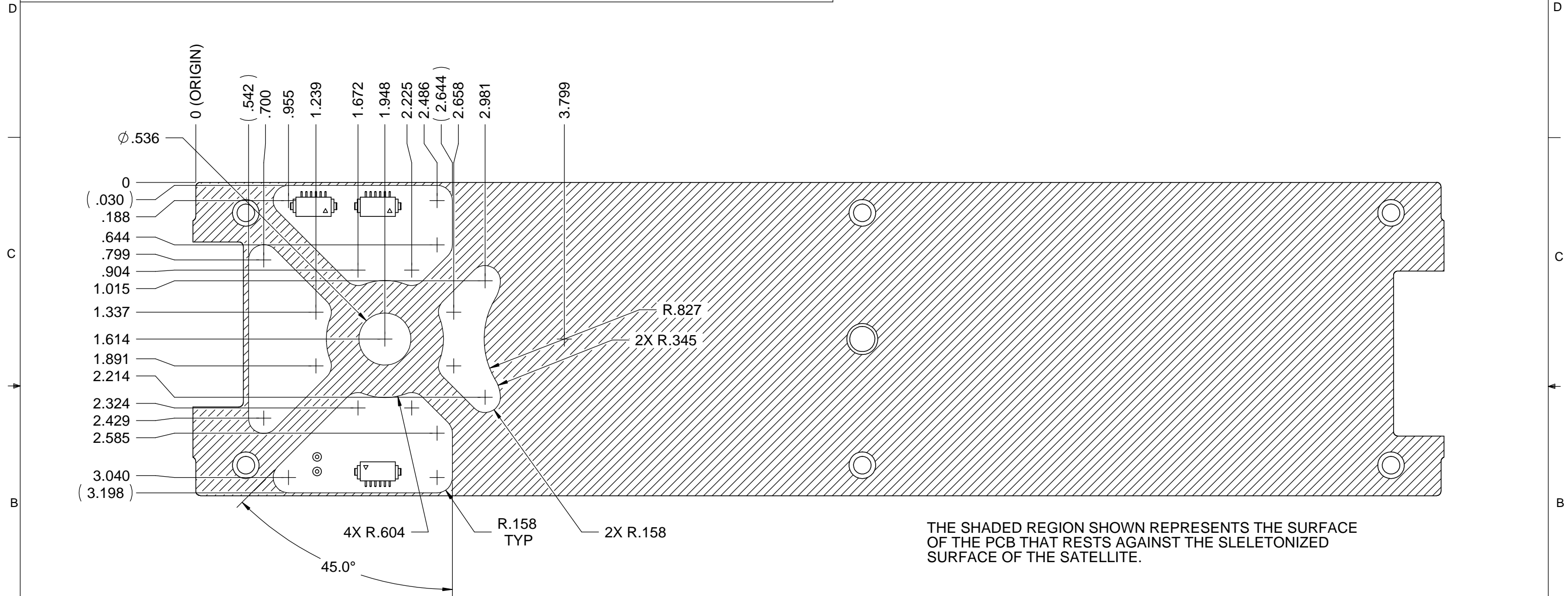
MATERIAL: SEE NOTES	FINISH: SEE NOTES	HEAT TREAT: NONE	WEIGHT:
PUMPKIN INCORPORATED		750 Naples - San Francisco - CA 94112 (415) 584-6360 ph - (415) 585-7948 fax info@pumpkininc.com	
UNLESS OTHERWISE SPECIFIED DIMENSIONS ARE IN INCHES TOLERANCES ARE:	APPROVALS	DATE	TITLE
FRACTIONS DECIMALS ANGLES	DRAWN AWR	11/07/08	PCB, Side Panel Module, 3U
.X = \pm .030 .XX = \pm .010 \pm 0° 30" .XXX = \pm .005	CHECKED		
CAD GENERATED DRAWING, DO NOT MANUALLY UPDATE	DO NOT SCALE DRAWING		
SIZE B	DWG.	705-00460	REV B0
SCALE 1 : 2	SHEET 1 OF 2		

PROPRIETARY NOTICE

NOTICE IS HEREBY GIVEN THAT THIS DOCUMENT EMBODIES A CONFIDENTIAL PROPRIETARY DESIGN OR IS PART OF A CONFIDENTIAL PROPRIETARY DESIGN ORIGINATED BY OURSELVES OR ONE OF OUR CUSTOMERS, AND ALL DESIGN, MANUFACTURING, PREPRODUCTION USE AND SALE RIGHTS REGARDING THE SAME ARE EXPRESSLY RESERVED. IT IS SUBMITTED UNDER A CONFIDENTIAL RELATIONSHIP FOR A SPECIFIC PURPOSE, AND THE RECIPIENT BY ACCEPTING THIS DRAWING AGREES NOT TO SUPPLY OR DISCLOSE ANY INFORMATION REGARDING IT TO ANY UNAUTHORIZED PERSON, OR TO INCORPORATE IN OTHER PROJECTS, ANY SPECIAL FEATURES PECULIAR TO THIS DESIGN.

REVISION HISTORY


REV	LOC	DESCRIPTION	DATE	APP'VD
B0		NO CHANGE TO THIS SHEET	04/30/2009	AWR



THE SHADED REGION SHOWN REPRESENTS THE SURFACE OF THE PCB THAT RESTS AGAINST THE SKELETONIZED SURFACE OF THE SATELLITE.

NOTES:

- 1) THIS IS A REFERENCE DRAWING TO ILLUSTRATE WHERE IT IS SAFE TO MOUNT COMPONENTS AND/OR RUN TRACES AND EXPOSED PADS ON THE BACKSIDE OF THE PCB.
- 2) ANY TRACES THAT EXIST IN THE SHADED AREA WILL NEED TO BE INSULATED WITH KAPTON TAPE, OR A SIMILAR INSULATING MATERIAL.
- 3) ZONES SHOWN ARE THE EXACT OVERLAY OF THE OPEN AREAS ON THE BUS CHASSIS *MINUS* a .030" RECOMMENDED TOLERANCE BUFFER.

MATERIAL: SEE NOTES	FINISH: SEE NOTES	HEAT TREAT: NONE	WEIGHT:
		750 Naples - San Francisco - CA 94112 (415) 584-6360 ph - (415) 585-7948 fax info@pumpkininc.com	
		TITLE PCB, Side Panel Module, 3U	
UNLESS OTHERWISE SPECIFIED DIMENSIONS ARE IN INCHES TOLERANCES ARE: FRACTIONS DECIMALS ANGLES .X = ± .030 .XX = ± .010 ± 0° 30" .XXX = ± .005		APPROVALS DRAWN AWR CHECKED QUAL ENG	DATE 11/07/08
CAD GENERATED DRAWING, DO NOT MANUALLY UPDATE		DO NOT SCALE DRAWING	
SCALE 1:1		SHEET 2 OF 2	