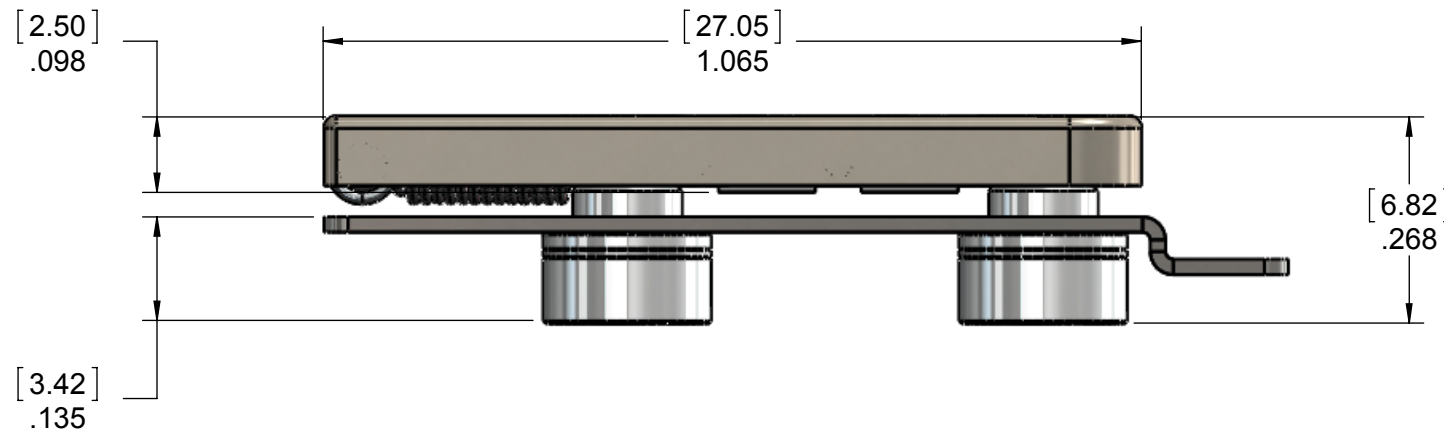
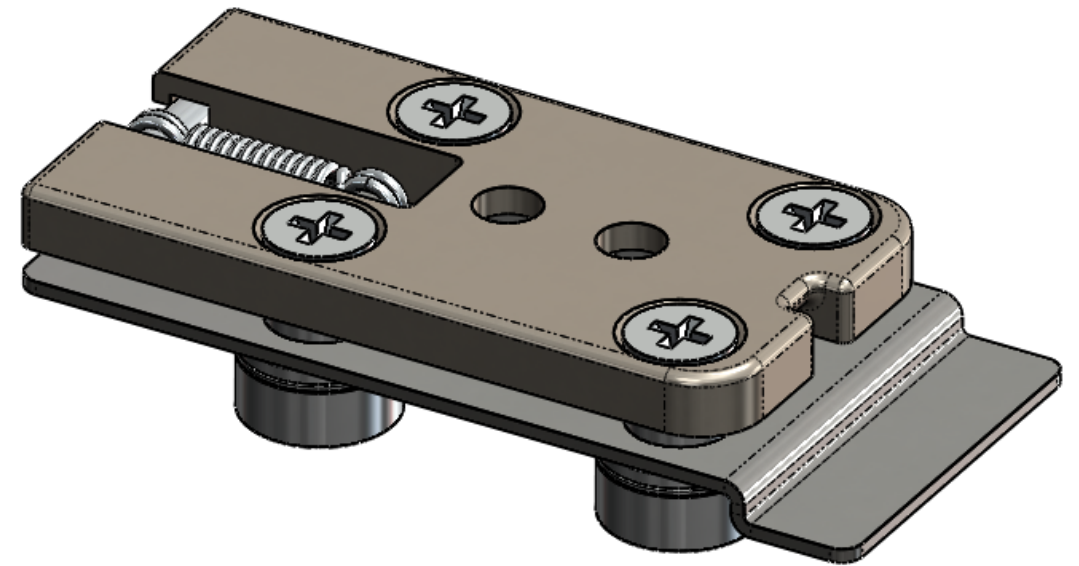
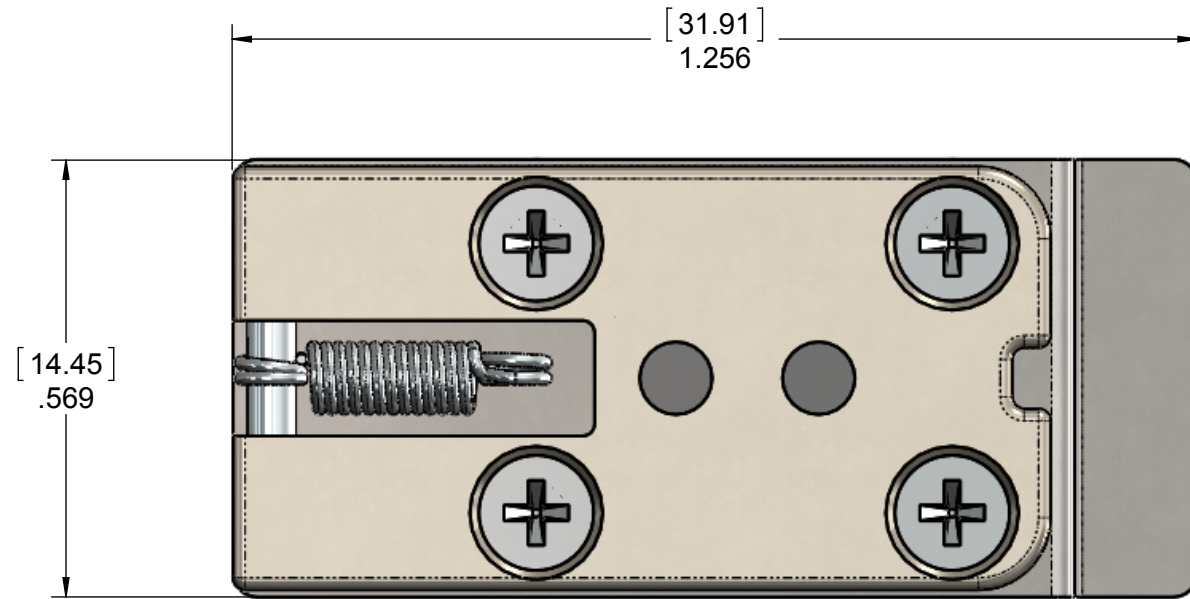



PROPRIETARY NOTICE

NOTICE IS HEREBY GIVEN THAT THIS DOCUMENT EMBODIES A CONFIDENTIAL PROPRIETARY DESIGN OR IS PART OF A CONFIDENTIAL PROPRIETARY DESIGN ORIGINATED BY OURSELVES OR ONE OF OUR CUSTOMERS, AND ALL DESIGN, MANUFACTURING, PREPRODUCTION USE AND SALE RIGHTS REGARDING THE SAME ARE EXPRESSLY RESERVED. IT IS SUBMITTED UNDER A CONFIDENTIAL RELATIONSHIP FOR A SPECIFIC PURPOSE, AND THE RECIPIENT BY ACCEPTING THIS DRAWING AGREES NOT TO SUPPLY OR DISCLOSE ANY INFORMATION REGARDING IT TO ANY UNAUTHORIZED PERSON, OR TO INCORPORATE IN OTHER PROJECTS, ANY SPECIAL FEATURES PECULIAR TO THIS DESIGN.

REVISION HISTORY

REV	LOC	DESCRIPTION	DATE	APP'VD



		750 Naples - San Francisco - CA 94112 (415) 584-6360 ph - (415) 585-7948 fax info@pumpkininc.com		WEIGHT:	
UNLESS OTHERWISE SPECIFIED DIMENSIONS ARE IN INCHES TOLERANCES ARE: FRACTIONS DECIMALS ANGLES .X = ± .030 .XX = ± .010 ± 0° 30" .XXX = ± .005		APPROVALS DRAWN <i>JMM</i> CHECKED QUAL ENG	DATE 07/31/14	TITLE <h3>PRM Assembly Overview</h3>	
CAD GENERATED DRAWING, DO NOT MANUALLY UPDATE		DO NOT SCALE DRAWING		SIZE B	DWG. SCALE 4:1
SHEET 1 OF 1				REV A0	